

Installation instructions for CD-4 double dial digital clocks.



CAUTION: BEFORE INSTALLATION OR REPAIR OF DIGITAL CLOCK(S), DISCONNECT ALL ELECTRICAL POWER TO DIGITAL CLOCK(S), OR SERIOUS ELECTRICAL HAZARD COULD RESULT.

1. For wall-mount, assemble double digital clock enclosure as shown in figure 1. For ceiling-mount, use the same assembly procedure except use the 2 knockouts located on the top of the wraparound, see figure 1.
2. Run the power and reset wires from 4" sq. back box through conduit and mount the assembly to the back box using two #8-32 x 3/4" screws.
3. Loosen the 4 screws in the digital clock approximately 3/32" and slide the digital clock into the wraparound and re tighten the 4 screws. Slide the second digital clock into the slots, mounting it below the wraparound with the back facing you. This will allow both clocks to be mounted while making wiring connections.
4. Make power and reset connections to both digital clocks.
5. Slide the second digital out and mount it into the wraparound and re tighten the 4 screws. This should complete the installation.

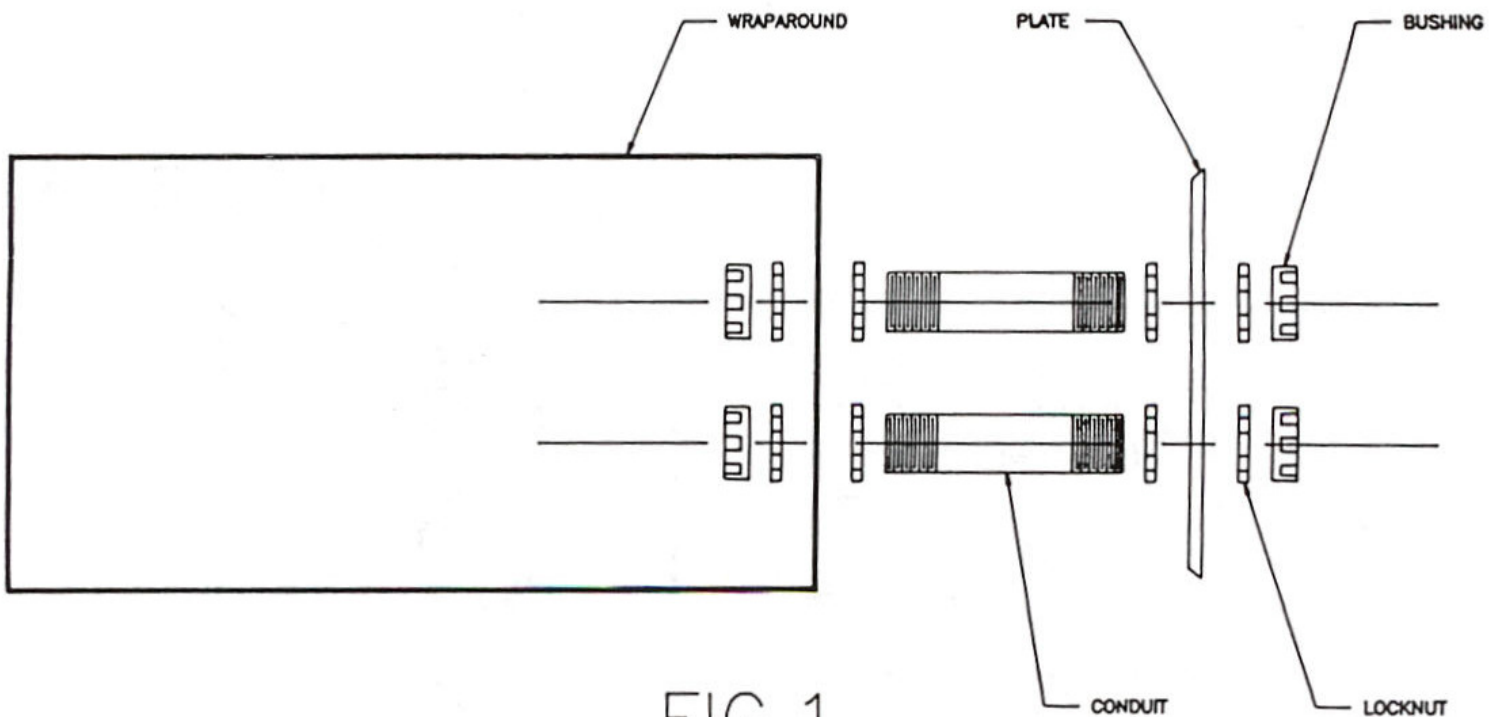


FIG. 1

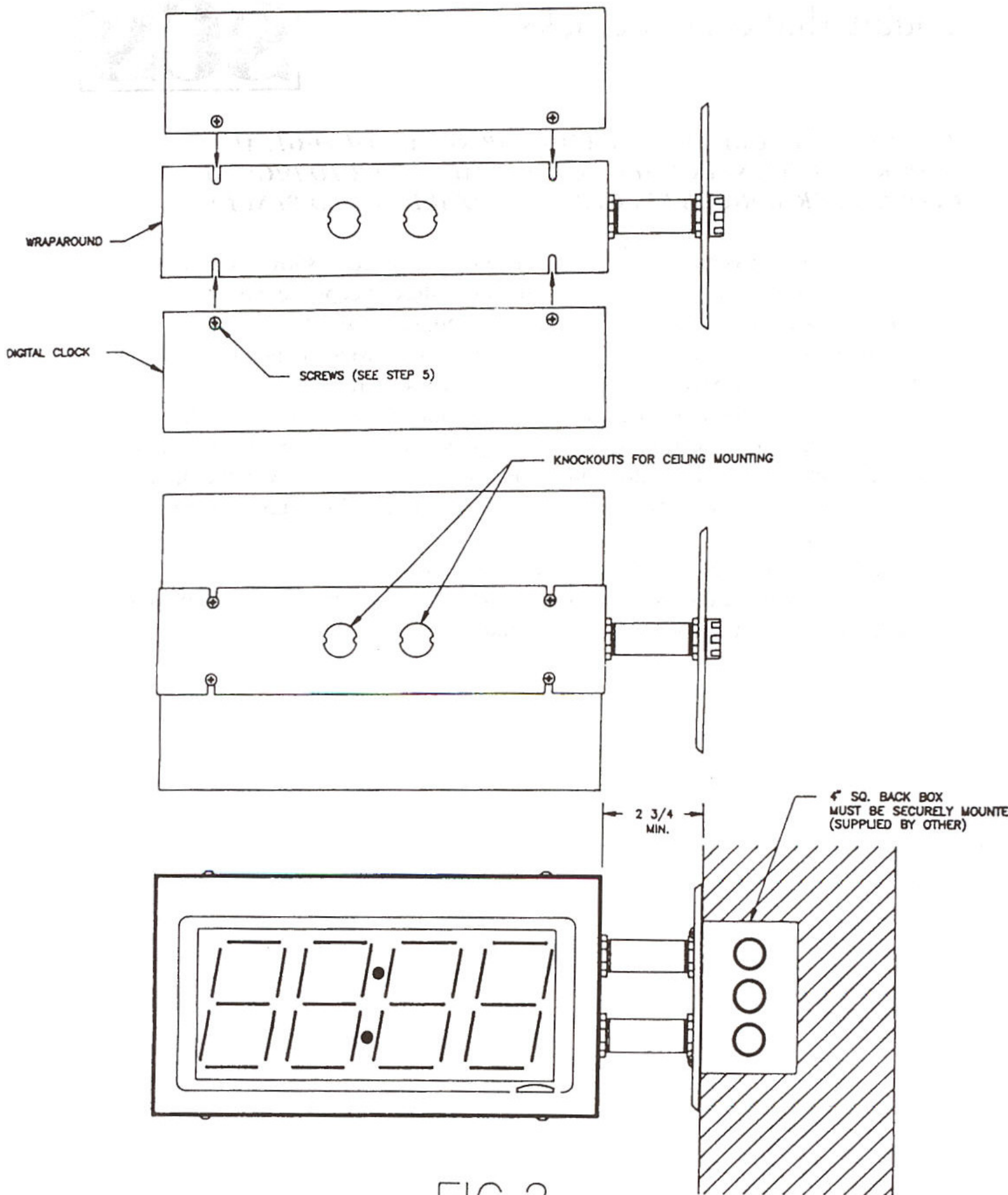


FIG.2

NOTE: UNITS TO BE INSTALLED ONLY IN ACCORDANCE WITH THE